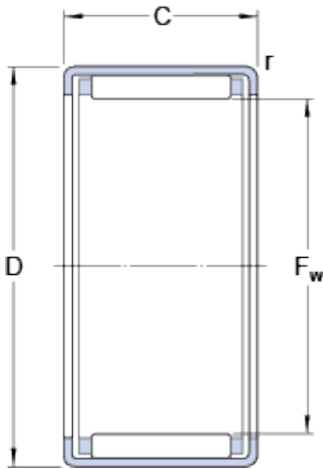




DEARING OF AMERICA CORP.



HK 3512 Bearing 2D drawings and 3D CAD models

SKF HK 3512 cylindrical roller bearings

Bearing No. HK 3512

Size	42x35x12 mm
Bore Diameter	42 mm
Outer Diameter	35 mm
Width	12 mm
F_w	35 mm
D	42 mm
C	12 mm
r - min.	0.8 mm
Basic dynamic load rating - C	12.5 kN
Basic static load rating - C_0	21.6 kN
Fatigue load limit - P_u	2.4 kN
Reference speed	7000 r/min
Limiting speed	8000 r/min
Mass bearing	0.027 kg
Inner ring LR series	LR 30x35x12.5
Radial shaft seal with a low cross-sectional height, single lip	G 35x42x4
Category	Roller Bearings
Inventory	0.0
Manufacturer Name	SKF
Minimum Buy Quantity	N/A
Weight / Kilogram	0.028
EAN	7316577010551
Product Group	B04144
bore diameter:	35 mm



DEARING OF AMERICA CORP.

static load capacity:	21.6 kN
outside diameter:	42 mm
bearing material:	Steel
overall width:	12 mm
maximum rpm:	8000 RPM
drawn cup type:	Open Ends
precision rating:	Not Rated
closure type:	Open
series:	HK
number of rows:	One
lubrication hole type:	No Hole
operating temperature range:	Maximum of +285 ° F
compatible inner ring:	LR30x35x12.5
dynamic load capacity:	12.5 kN
F_w	35 mm
r min.	0.8 mm
Basic dynamic load rating C	12.5 kN
Basic static load rating C_0	21.6 kN
Fatigue load limit P_u	2.45 kN
Designation bearing	HK 3512