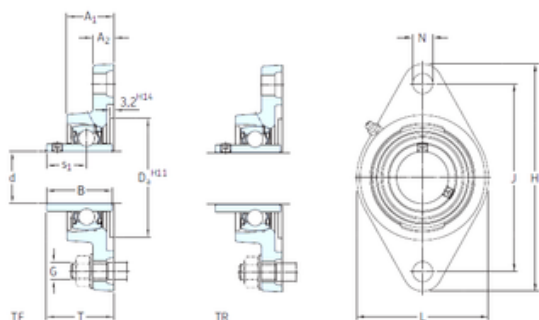




DEARING OF AMERICA CORP.

SKF FYTB 45 TR bearing units



Bearing No. FYTB 45 TR

Bore Diameter	45 mm
d	45 mm
Da	98,4 mm
s1	30,2 mm
A1	39 mm
B	49,2 mm
G	14 mm
H	178,5 mm
J	148,5 mm
L	111 mm
N	16 mm
T	54,2 mm
A2	14 mm
Weight	1,8 Kg
Basic dynamic load rating (C)	33,2 kN
Basic static load rating (C0)	21,6 kN
Fatigue load limit (Pu)	0,915
Category	Bearings
Inventory	0.0
Manufacturer Name	SKF
Minimum Buy Quantity	N/A
Weight / Kilogram	0
Product Group	M06110
Housing material	Cast iron
D _a	98.4 mm
D _{b1}	102 mm

FYTB 45 TR Bearing 2D drawings and 3D CAD models



DEARING OF AMERICA CORP.

D_{b2}	111 mm
A	39 mm
A_1	14 mm
A_3	3.2 mm
A_5	23 mm
B_4	8 mm
s_1	30.2 mm
R_G	1/4-28 UNF
R_1	24.5 mm
R	45 °
D_N	6.5 mm
SW_N	7 mm
G_N	1/4-28 SAE-LT
J_6	120.5 mm
J_7	18 mm
N_4	2 mm
Basic dynamic load rating C	33.2 kN
Basic static load rating C_0	21.6 kN
Fatigue load limit P_u	0.915 kN
Limiting speed	2400 r/min
Mass bearing unit	1.7 kg
Thread grub screw G_2	M8x1
Hexagonal key size for grub screw N	4 mm
Recommended tightening torque for grub screw	6.5 N · m
Recommended diameter for attachment bolts, mm G	14 mm
Recommended diameter for attachment bolts, inch G	0.5625 in