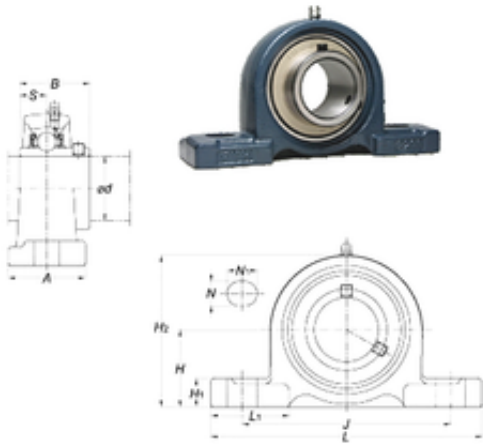




# DEARING OF AMERICA CORP.

## FYH UCP320 bearing units



Bearing No. UCP320

Bore Diameter	100 mm
Width	108 mm
d	100 mm
A	120 mm
B	108 mm
H	140 mm
H1	46 mm
H2	273 mm
J	380 mm
L	490 mm
L1	140 mm
N	36 mm
N1	50 mm
S	42 mm
Bolt (G)	M30
Weight	35,1 Kg
Basic dynamic load rating (C)	173 kN
Basic static load rating (C0)	141 kN
Category	Mounted Units & Inserts
Inventory	0.0
Manufacturer Name	FYH BEARING UNITS
Minimum Buy Quantity	N/A
Weight / Kilogram	0
Product Group	M06110

UCP320 Bearing 2D drawings and 3D CAD models