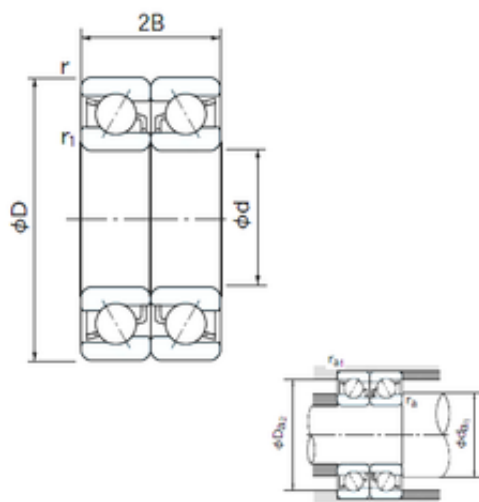




DEARING OF AMERICA CORP.



20 mm x 47 mm x 14 mm NACHI 7204CDB
angular contact ball bearings

Bearing No. 7204CDB

7204CDB Bearing 2D drawings and 3D CAD models

Size	20x47x14 mm
Bore Diameter	20 mm
Outer Diameter	47 mm
Width	14 mm
d	20 mm
D	47 mm
B	14 mm
C	14 mm
Angle (°)	15 °
a -	3.1 mm
r min.	1 mm
r1 min.	0.6 mm
2B	28 mm
da min.	26 mm
Da max.	43.4 mm
ra max.	0.6 mm
Weight	0.110 Kg
Basic dynamic load rating (C)	23,8 kN
Basic static load rating (C0)	16,3 kN
(Grease) Lubrication Speed	19000 r/min
Bore Type	Cylindrical Bore
Enclosure	Open
Configuration	Duplex
Bore Size	20 mm
Outside Diameter	47 mm



DEARING OF AMERICA CORP.

Width	14 mm
Fillet Radius/Chamfer	1 mm
r1	0.6 mm
Dynamic Load Rating	23,800 N
Static Load Rating	16,300 N
Limiting Speed - Grease	19,000 rpm
Limiting Speed - Oil	26,000 rpm
da1 (min)	26 mm
da2 (min)	26 mm
Da1 (max)	41 mm
Da2 (max)	43.4 mm
ra (max)	1 mm
ra1 (max)	0.6 mm