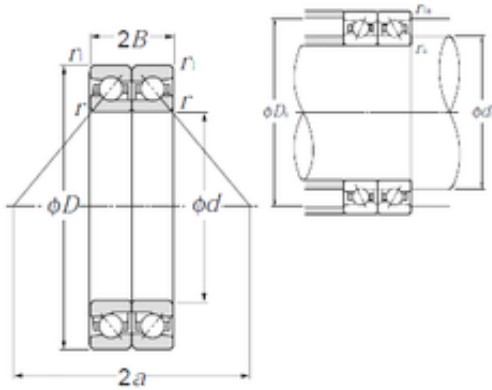




DEARING OF AMERICA CORP.

50 mm x 80 mm x 14,25 mm NTN HTA010DB
angular contact ball bearings



Bearing No. HTA010DB

Size	50x80x14.25 mm
Bore Diameter	50 mm
Outer Diameter	80 mm
Width	14,25 mm
d	50 mm
D	80 mm
B	14,25 mm
C	14,25 mm
ra1 max.	0,5 mm
r min.	1 mm
r1 min.	0,6 mm
2B	28,5 mm
da min.	57,5 mm
Da max.	74 mm
ra max.	1 mm
Weight	0,476 Kg
Basic dynamic load rating (C)	29,6 kN
Basic static load rating (C0)	55,5 kN
(Grease) Lubrication Speed	8 800 r/min

HTA010DB Bearing 2D drawings and 3D CAD models