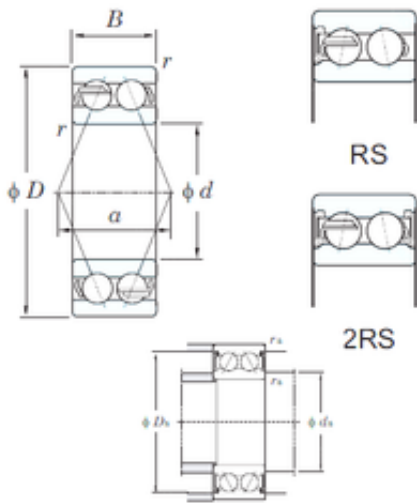




DEARING OF AMERICA CORP.



50 mm x 110 mm x 44.4 mm KOYO 5310-2RS
angular contact ball bearings

Bearing No. 5310-2RS

| | |
|-------------------------------|----------------|
| Size | 50x110x44.4 mm |
| Bore Diameter | 50 mm |
| Outer Diameter | 110 mm |
| Width | 44.4 mm |
| d | 50 mm |
| D | 110 mm |
| B | 44.4 mm |
| C | 44.4 mm |
| a | 56.6 mm |
| r min. | 2 mm |
| da min. | 60 mm |
| da max | 64.4 mm |
| Da max. | 100 mm |
| ra max. | 2 mm |
| Weight | 1.93 Kg |
| Basic dynamic load rating (C) | 81.8 kN |
| Basic static load rating (C0) | 62.2 kN |

5310-2RS Bearing 2D drawings and 3D CAD models