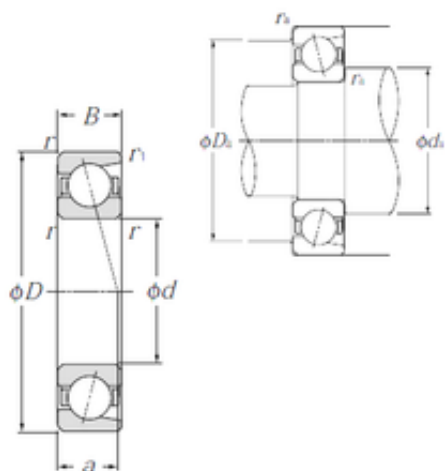




DEARING OF AMERICA CORP.

150 mm x 270 mm x 45 mm NTN 7230 angular contact ball bearings



7230 Bearing 2D drawings and 3D CAD models

Bearing No. 7230

Size	150x270x45 mm
Bore Diameter	150 mm
Outer Diameter	270 mm
Width	45 mm
d	150 mm
D	270 mm
B	45 mm
C	45 mm
Angle (°)	25 °
a	83 mm
r min.	3 mm
r1 min.	1,1 mm
da min.	164 mm
ra max.	2,5 mm
Weight	11 Kg
Basic dynamic load rating (C)	232 kN
Basic static load rating (C0)	259 kN
(Grease) Lubrication Speed	2 500 r/min
Category	Angular Contact Ball Bearings
Inventory	0.0
Manufacturer Name	NTN
Minimum Buy Quantity	N/A
Weight / Kilogram	11.2
EAN	4547359447606



DEARING OF AMERICA CORP.

Product Group	B00308
Enclosure	Open
Flush Ground	No
Rolling Element	Ball Bearing
Number of Rows of Balls	Single Row
Precision Class	ABEC 1 ISO P0
Maximum Capacity / Filling Slot	No
Snap Ring	No
Cage Material	Steel
Contact Angle	30 Degree
Internal Clearance	C0-Medium
Number of Bearings	1 (Single)
Inch - Metric	Metric
Long Description	150MM Bore; 270MM Outside Diameter; 45MM Width; Open; No Flush Ground; Ball Bearing; Single Row of Balls; ABEC 1 ISO P0; No Filling Slot; No Snap Ring; C0-Medium; Steel Cage; 30 Degree; 1 (Single)
Category	Angular Contact Ball Bearing
UNSPSC	31171531
Harmonized Tariff Code	8482.10.50.28
Noun	Bearing
Keyword String	Angular Contact
Manufacturer URL	http://www.ntnamerica.com
Manufacturer Item Number	7230
Bore	5.906 Inch 150 Millimeter
Width	1.772 Inch 45 Millimeter
Outside Diameter	10.63 Inch 270 Millimeter