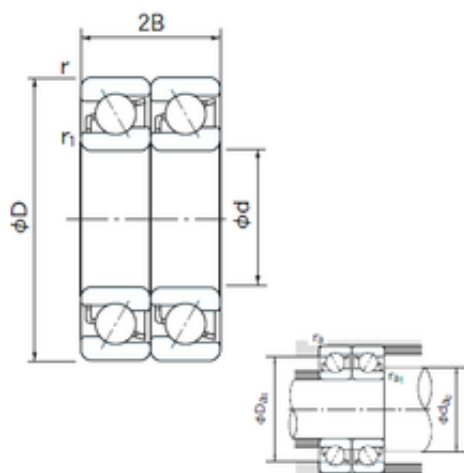




DEARING OF AMERICA CORP.



65 mm x 100 mm x 18 mm NACHI 7013CDT
angular contact ball bearings

Bearing No. 7013CDT

7013CDT Bearing 2D drawings and 3D CAD models

Size	65x100x18 mm
Bore Diameter	65 mm
Outer Diameter	100 mm
Width	18 mm
d	65 mm
D	100 mm
B	18 mm
C	18 mm
Angle (°)	15 °
a	0.5 mm
r min.	1.1 mm
r1 min.	0.6 mm
2B	36 mm
da min.	71 mm
Da max.	96 mm
ra max.	0.6 mm
Weight	0.470 Kg
Basic dynamic load rating (C)	60,5 kN
Basic static load rating (C0)	69 kN
(Grease) Lubrication Speed	7800 r/min
Bore Type	Cylindrical Bore
Enclosure	Open
Configuration	Duplex
Bore Size	65 mm
Outside Diameter	100 mm



DEARING OF AMERICA CORP.

Width	18 mm
Fillet Radius/Chamfer	1.1 mm
r1	0.6 mm
Dynamic Load Rating	60,500 N
Static Load Rating	69,000 N
Limiting Speed - Grease	7,800 rpm
Limiting Speed - Oil	10,000 rpm
da1 (min)	71 mm
da2 (min)	71 mm
Da1 (max)	94 mm
Da2 (max)	96 mm
ra (max)	1 mm
ra1 (max)	0.6 mm